

Specifications

SMART Board® 7075 interactive display

Model SBID-7075

Overview

The SMART Board® 7075 interactive display combines a premium touch experience with the power of SMART Learning Suite, including SMART Notebook® software.

The 75" 4K ultra-high-definition LED display provides optimal image clarity and wide viewing angles. With the Pen ID™ feature, you can assign different appearances to the four pens and write or draw over any application in digital ink.

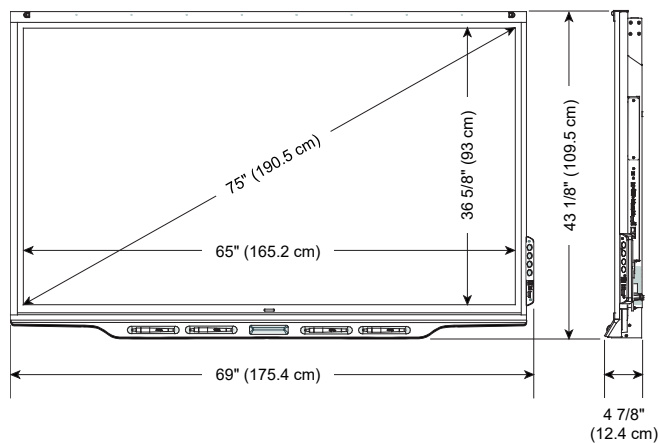
Object Awareness™ allows you to perform mouse functions with your finger, write in digital ink with the pen, and erase with your palm or eraser—all without switching tools or modes. You can use a variety of gestures in applications, and four users can write or draw at the same time.

See education.smarttech.com for more information.



Dimensions and weights¹

Dimensions



Weight

172 lb. (78 kg)

Shipping dimensions (including pallet)

75 3/8" × 54 1/4" × 11 3/4"
(191.6 cm × 137.8 cm × 30 cm)

Shipping weight

225 lb. (102 kg)



As an ENERGY STAR® certified signage display, the SMART Board 7075 interactive display meets strict energy efficiency guidelines set by the U.S. Environmental Protection Agency and Department of Energy.

¹All dimensions ± 1/8" (0.3 cm). All weights ± 2 lb. (0.9 kg).

Hardware

Interaction

Touch technology	HyPr Touch™ (Hybrid Precision Touch) proprietary hybrid system, which greatly improves upon its InGlass™ core by optimizing both touch and pen performance, resulting in virtually no lag and zero contact detect height
Multitouch capabilities	Up to 16 simultaneous interaction points (combination of 10 finger touch points, four pen touch points and two eraser touch points) ²
Object Awareness	Behavior adjusts automatically to the tool or object you're using, whether it's a pen, finger, eraser, or palm.
Pen ID	Four people can write independently and simultaneously, using different colored ink.

Display

Type	LED
Aspect ratio	16:9
Optimal resolution ("HDMI 1" input)	4K UHD (3840 × 2160) at 60 Hz
Horizontal frequency (typical)	135 kHz
Vertical frequency (typical)	60 Hz
Contrast ratio (typical)	5000:1
Brightness (maximum)	360 cd/m ²
Pixel dimensions	0.429 mm × 0.429 mm
Gamut	72% of NTSC
Viewing angle	178°
Response time (typical)	8 ms

100BASE-T Ethernet Two external ports for a four-port Fast Ethernet switched network connecting the interactive display and the OPS module to an external network and an external device, such as a computer

Presence detection Dual sensors that reduce startup time and power consumption during inactivity

Audio 10 W integrated speakers (×2)

Noise level <30 dBA

Included cables and accessories Country-specific power cable
USB cable
Pen (×4)
Eraser

²Only up to 10 touch points and no pen or eraser support on Chrome OS™ operating system

Mounting holes	For a standard VESA 600 mm × 400 mm mounting plate Lower mounting holes 13 3/4" (35 cm) from the bottom of the interactive display
Mounting bracket depth	Minimum depth of 2" (5.1 cm) for all components on the back of the interactive display for airflow

Connectors

Connector panel	OPS slot Stereo 3.5 mm out S/PDIF out “VGA” input connectors Video: VGA in (1080p) Audio: Stereo 3.5 mm in Touch: USB Type-B “HDMI 1” input connectors Video/audio: HDMI 2.0 in (4K UHD at 60 Hz) Touch: USB Type-B “Display Port” input connectors Video/audio: in (4K UHD at 30 Hz) Touch: USB Type-B USB Type-A ³ RJ45 (×2)
Convenience panel	“HDMI 2” input connectors Video/audio: HDMI 1.4 in (4K UHD at 30 Hz) Touch: USB Type-B USB Type-A (×2)
Bottom	AC power in AC power out RS-232 in RS-232 out
HDCP support	Version 1.4/2.2

Installation requirements

Interactive display	See the <i>SMART Board 7000 and 7000 Pro series interactive displays installation and maintenance guide</i> (smarttech.com/kb/171164)
Room computers and guest laptops	
General requirements	See SMART Notebook software release notes
4K UHD	Video card that can support 3840 × 2160 resolution at 60 Hz and that has 1 GB DDR 5 memory See Minimum requirements for Ultra High Definition or 4K on your interactive flat panel

³For service use only

Mini-computers

General requirements	See SMART Notebook software release notes
Dimensions	Smaller than 10" × 10" × 2" (25.4 cm × 25.4 cm × 5.1 cm)
Weight	Less than 10 lb. (4.5 kg)
Mounting	VESA 75 mm × 75 mm or 100 mm × 100 mm mounting pattern

Cable requirements**HDMI**

Maximum length: 23' (7 m)

NOTES

- Use only certified HDMI cables that have been tested to support the performance standard you require.
- The performance of cables longer than 23' (7 m) is highly dependent on the cable's quality.

Display PortDisplay Port 1.2 compliant or better
Maximum length: 23' (7 m)**USB 2.0**USB 2.0 certified
Hi-Speed (480 Mbps) support
Maximum length: 16' (5 m)**Important**

Using cables that exceed these maximum lengths can produce unexpected results, such as degraded picture quality or USB connectivity. Refer to *Installation best practices for SMART products* (smarttech.com/kb/171035) for comprehensive information about cables and extensions for SMART hardware products.

Storage and operating requirements**Power requirements** 100V to 240V AC, 50 Hz to 60 Hz**Power consumption at 77°F (25°C)**

Standby mode	<2 W
Normal operating	135 W

Operating temperature 41–95°F (5–35°C)**Storage temperature** -4–140°F (-20–60°C)**Humidity** 5–80% relative humidity, non-condensing**Certification and compliance****Regulatory certification** EU RED and LV Directives, ISED, cUL, FCC, UL, RCM, CITIC, TRA

Environmental compliance

European Union	REACH, RoHS, WEEE, Battery and Packaging
----------------	--

U.S.	CONEG Packaging, California Prop 65
------	-------------------------------------

Regulatory models	SBID-7075 and ID7075-1
--------------------------	------------------------

Purchasing information**Order number**

SBID-7075	SMART Board 7075 interactive display with SMART Learning Suite
-----------	--

Optional accessories

UGK-AM40-EDU	AM40 appliance for SMART Board interactive displays
--------------	---

UGK-AM50-EDU	AM50 appliance with Intel® Compute Card for SMART Board interactive displays
--------------	--

Other	See smarttech.com/accessories
-------	--

Warranty

	Three-year limited equipment warranty
--	---------------------------------------

Extended warranty

EWY1-SBID-7075	One-year warranty extension
----------------	-----------------------------

EWY2-SBID-7075	Two-year warranty extension
----------------	-----------------------------

smarttech.com/support
smarttech.com/contactsupport

© 2017–2019 SMART Technologies ULC. All rights reserved. SMART Board, SMART Notebook, Pen ID, Object Awareness, HyPr Touch, smarttech, the SMART logo and all SMART taglines are trademarks or registered trademarks of SMART Technologies ULC in the U.S. and/or other countries. All third-party product and company names may be trademarks of their respective owners. This product and/or use thereof is covered by one or more of the following U.S. patents: www.smarttech.com/patents. Contents are subject to change without notice. November 14, 2019.